

Model MS - Multi-Jet Magnetic Water Meter

The Multi Jet Silver 1½" 40mm is a revolutionized water-meter with superior performances which exceed all known products in the industry. The dry dial Multi Jet Silver complies with ISO 4064 Class C metrological standard.

The meter offers very accurate registration in extreme flows, contributing to the revenues of the assigned customer.

- **Applications**

For domestic, agriculture and industrial use.

- **Available Sizes**

1½" - 40 mm

- **Standards**

ISO 4064, AWWA, EC, MID, etc

Features:

By incorporating revolutionized hydraulic design the meter has superior performances:

- Accuracy performance of Class C
- Maintains same hydraulic characteristics while tested in Q_{max} for more than 300 hours (equal to 26 years of operation)
- Reduced head loss - 6.5 meter (0.65 bar) in Q_{max}
- Incorporates unique magnetic transmission which avoids disconnection
- Eliminates any previous installment requirements for straight pipe section of 10D 5D upstream and downstream respectively
- Optional Electrical Output: EV, EF, Dialog 3G, DPE, MPE.

Technical Specifications

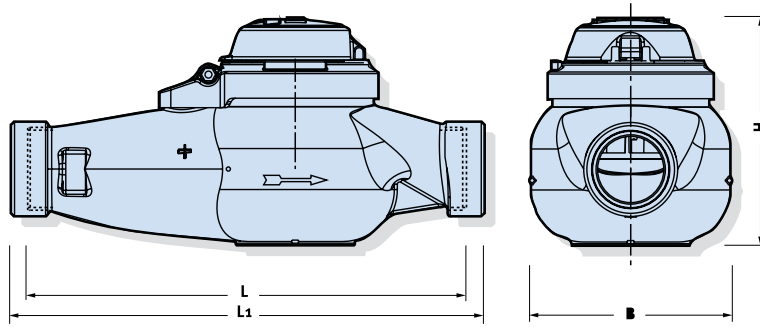
Maximum Working Pressure	16 bar
Maximum Working Temperature	50°C
Body	Corrosion proof copper alloy Cast iron upon request
Coupling threads	BSP, NPT



MS type dial

Dimensions

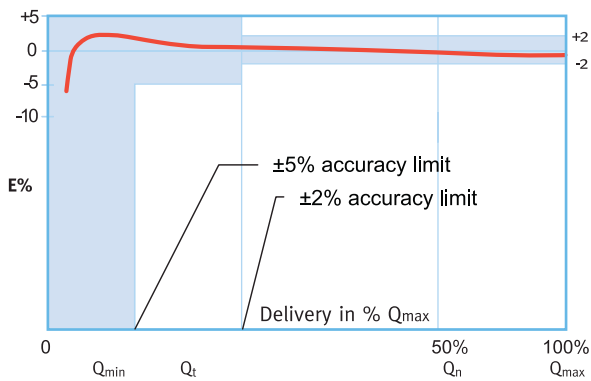
Model		MS40
Nominal size	(mm)	40
	(inch)	1 ½
L – Length without couplings (mm)		300
L ₁ – Length with couplings (mm)		435
B – Width (mm)		125
H – Height (mm)		140
Weight (kg)		4.65
Weight with couplings (kg)		5.65



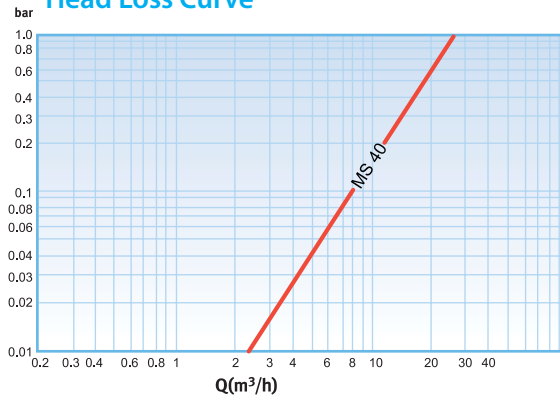
Performance data:

Model	Nominal size (inch)	Q _{max} Maximum flowrate (m ³ /h)	Q _n Nominal Flowrate (m ³ /h)	Q _t Transitional Flowrate (l/h)	Q _{min} Minimum Flowrate (l/h)	Sensitivity (up to -30%) (l/h)	Accuracy between Q _{max} & Q _t	Accuracy between Q _t & Q _{min}	Headloss at Q _{max} (bar)	Maximum register capacity (m ³)	Minimum register capacity (liter)
MS40	1 ½"	20	10	150	100	28	±2%	±5%	0.65	10 ⁶	1

Accuracy Curve



Head Loss Curve



Installation Requirements

- The meter should be installed in horizontal position dial face up.
- Pipeline must be flushed before installation.
- The meter should be constantly full of water.